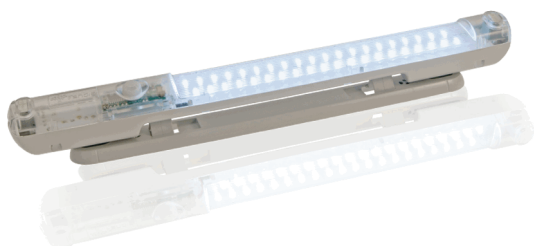


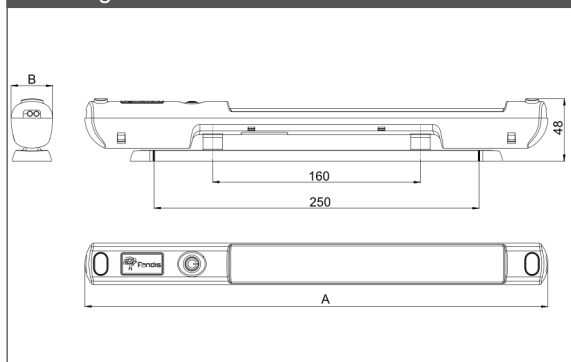
"FLL D" LED LAMP

Description: DC LED Lamp



Housing material:	PC Plastic UL94 V0
Type of cover:	transparent
Appliance class:	class III
Electrical connection:	2-poles cage clamp terminal for wire range 20~14AWG (0.5mm ² ~1.5mm ²)
Operating voltage range:	rated voltage ±10%
Storage temperature:	from -40°C to +85°C
Operating temperature:	from -30°C to +60°C
Protection degree:	IP20
Life:	160,000 h at 25 °C
Switch:	manual ON/OFF or PIR sensor
Angle of radiation PIR:	120°
Auto switch off:	300 s (only PIR version)
Installation:	2 x M5 screws or magnet pots fastening
Approvals:	CE; UL E237844 (UL 508 and CSA C22.2 No. 14)

Drawing



Model	Rated Voltage	Frequency	Watt	Dimensions (mm)		No. of Led	Color Temp.	Lum. Flux	Weight
	(V)	(Hz)	(W)	A	B		K	lm	
FLL-D120565U-IR	12 V d.c.	-	4.5	356	32	39	7,100	315	0,170
FLL-D120565U-IRM	12 V d.c.	-	4.5	356	32	39	7,100	315	0,180
FLL-D120565U-S	12 V d.c.	-	4.5	356	32	39	7,100	315	0,170
FLL-D120565U-SM	12 V d.c.	-	4.5	356	32	39	7,100	315	0,180
FLL-D240565U-IR	24V a.c./d.c.	50/60 / -	5.5/5.5 / 4.5	356	32	39	7,100	315	0,170
FLL-D240565U-IRM	24V a.c./d.c.	50/60 / -	5.5/5.5 / 4.5	356	32	39	7,100	315	0,180
FLL-D240565U-S	24V a.c./d.c.	50/60 / -	5.5/5.5 / 4.5	356	32	39	7,100	315	0,170
FLL-D240565U-SM	24V a.c./d.c.	50/60 / -	5.5/5.5 / 4.5	356	32	39	7,100	315	0,180
FLL-D480565U-IR	48 V d.c.	-	4.5	356	32	39	7,100	315	0,170
FLL-D480565U-IRM	48 V d.c.	-	4.5	356	32	39	7,100	315	0,180
FLL-D480565U-S	48 V d.c.	-	4.5	356	32	39	7,100	315	0,170
FLL-D480565U-SM	48 V d.c.	-	4.5	356	32	39	7,100	315	0,180

IR = PIR Sensor, S = ON/OFF Switch, M = Magnet fixing